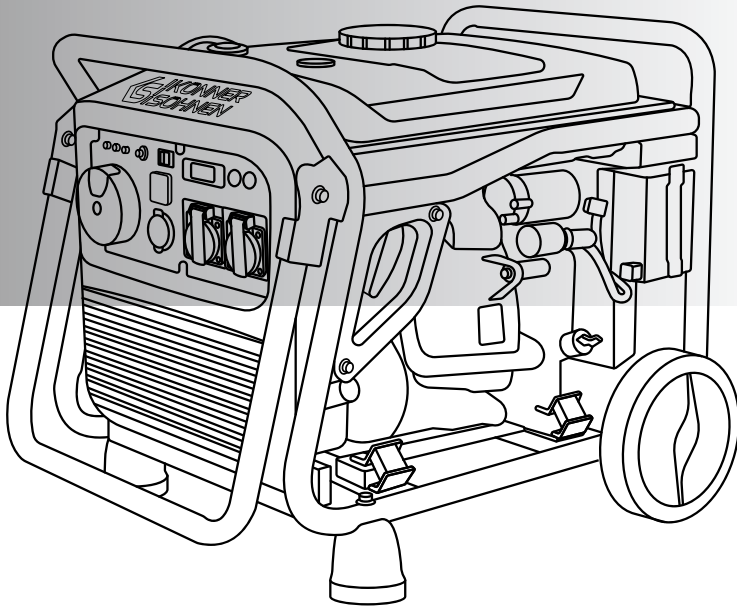


INVERTER GENERATOR EXPLODED VIEW

KS 8100iE



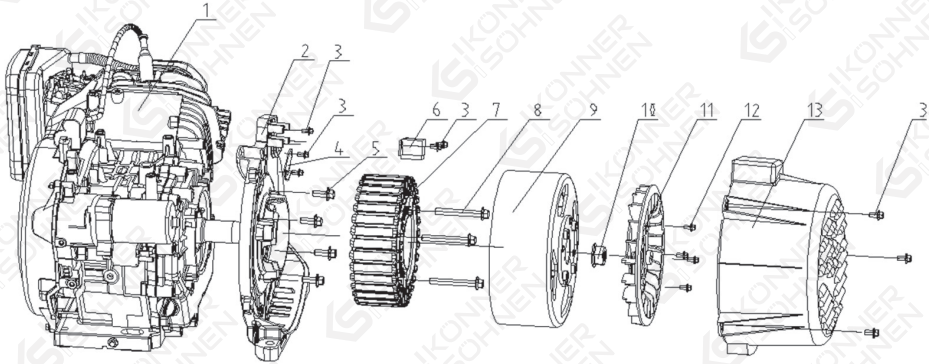
TRADITIONELLE DEUTSCHE QUALITÄT

CONTENTS

1.Parts of engine.....	2
2.Parts of fuel tank.....	3
3.Parts of muffler.....	4
4.Parts of battery.....	5
5.Parts of transportation kit.....	6
6.Parts of cover shell.....	7
7.Parts of inverter.....	8
8.Parts of panel.....	9
9.Cylinder head comp.	11
10. Crankcase	13
11.Crankcase cover.....	14
12. Crankshaft assy.....	15
13.Ringset,piston(std.).....	16
14. Rocker arm assy.....	17
15.Starter mortor.....	19
16. Carburetor assy.....	20
17. Fan, cooling.....	21
18. Air cleaner assy.....	22
19. Coil assy., Ignition.....	23
20. Bolt, flange.....	24
21. Electrical diagrams.....	26

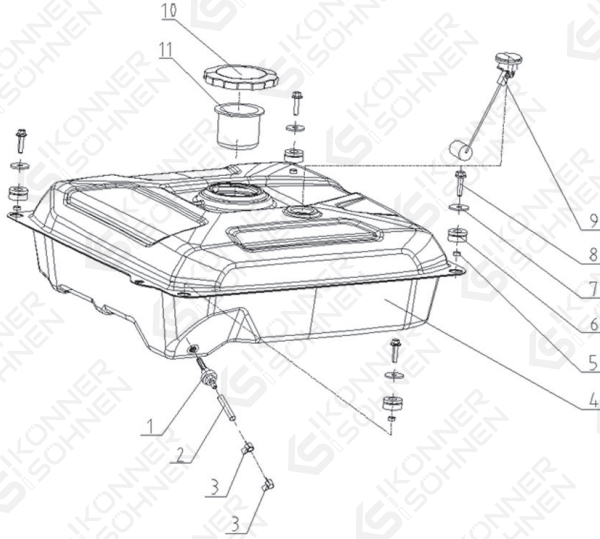
! This material is for informational purposes only and is not an instruction. The connection of the equipment in each case must be performed by a certified electrician, in accordance with local laws and regulations. Before connecting, we urge you to read the recommendations in the manual for the generator. The manufacturer is not responsible for improper connection of equipment, and is not responsible for possible material and physical damage that may occur as a result of improper installation, connection or operation of equipment.

1. PARTS OF ENGINE



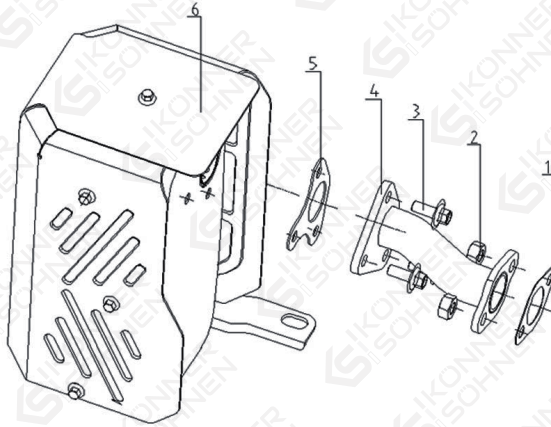
No	REF. No	DESCRIPTION	QTY
1	KS 8100iE-1-1	Engine	1
2	KS 8100iE-1-2	Motor front cover	1
3	KS 8100iE-1-3	Hexagon flange bolt-M5 × 10	8
4	KS 8100iE-1-4	Crimping block	1
5	KS 8100iE-1-5	Hexagon flange bolt-M8×1.25×20	4
6	KS 8100iE-1-6	Trigger assy	1
7	KS 8100iE-1-7	Magneto stator assy	1
8	KS 8100iE-1-8	Hexagon flange bolt-M8×1.25×65	3
9	KS 8100iE-1-9	Magneto rotor assy	1
10	KS 8100iE-1-10	Flywheel nut	1
11	KS 8100iE-1-11	Impeller	1
12	KS 8100iE-1-12	Hexagon flange bolt-M6×1×20	4
13	KS 8100iE-1-13	Motor tail cover	1

2. PARTS OF FUEL TANK



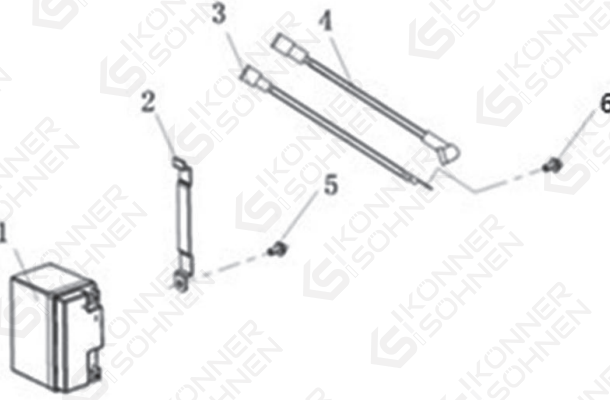
No	REF. No	DESCRIPTION	QTY
1	KS 8100iE-2-1	Oil outlet nozzle	1
2	KS 8100iE-2-2	Oil tube	1
3	KS 8100iE-2-3	Collar	2
4	KS 8100iE-2-4	Tank assy	1
5	KS 8100iE-2-5	Busher $\Phi 9 \times \Phi 12 \times 12.5$	4
6	KS 8100iE-2-6	Oil tank damping rubber pad	4
7	KS 8100iE-2-7	Oil tank gasket $\Phi 6 \times \Phi 25 \times 2$	4
8	KS 8100iE-2-8	Hexagon flange bolt M6 \times 1 \times 25	4
9	KS 8100iE-2-9	Oil gauge	1
10	KS 8100iE-2-10	Tank cap	1
11	KS 8100iE-2-11	Fuel filter	1

3. PARTS OF MUFFLER



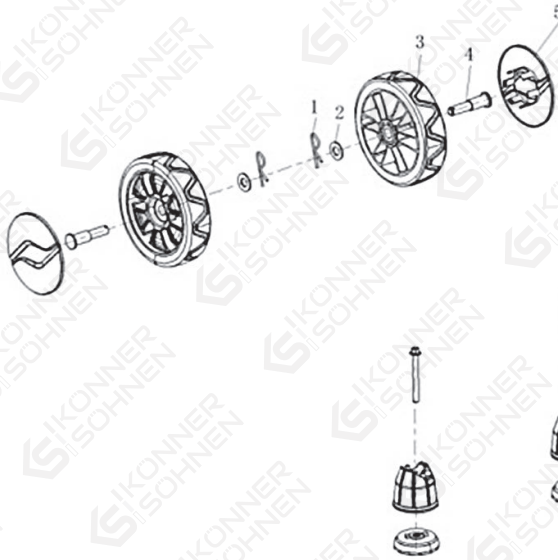
No	REF. No	DESCRIPTION	QTY
1	KS 8100iE-3-1	Exhaust gasket	1
2	KS 8100iE-3-2	Type 1 hex nut M8×1.25	2
3	KS 8100iE-3-3	Hexagon flange bolt M8×1.25×20	3
4	KS 8100iE-3-4	Exhaust pipe assy	1
5	KS 8100iE-3-5	Muffler gasket	1
6	KS 8100iE-3-6	Muffler assy	1

4. PARTS OF BATTERY



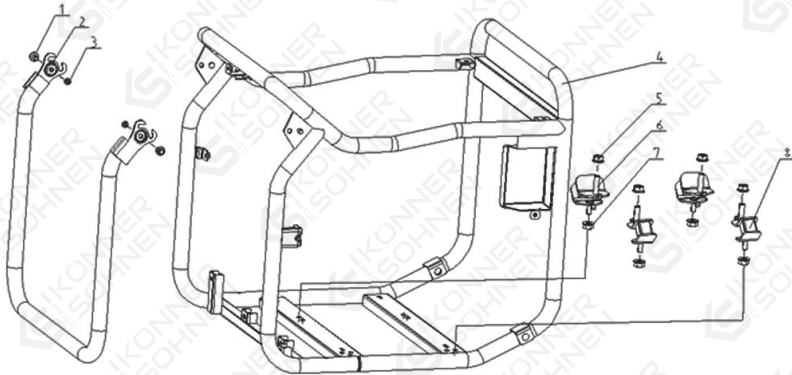
No	REF. No	DESCRIPTION	QTY
1	KS 8100iE-4-1	Battery	1
2	KS 8100iE-4-2	Battery pressing plate	1
3	KS 8100iE-4-3	Positive wire assy	1
4	KS 8100iE-4-4	Negative wire assy	1
5	KS 8100iE-4-5	Hexagon flange bolt M6x1x12	1
6	KS 8100iE-4-6	Hexagon flange bolt-M5 x 0.8 x 12	1

5. PARTS OF TRANSPORTATION KIT



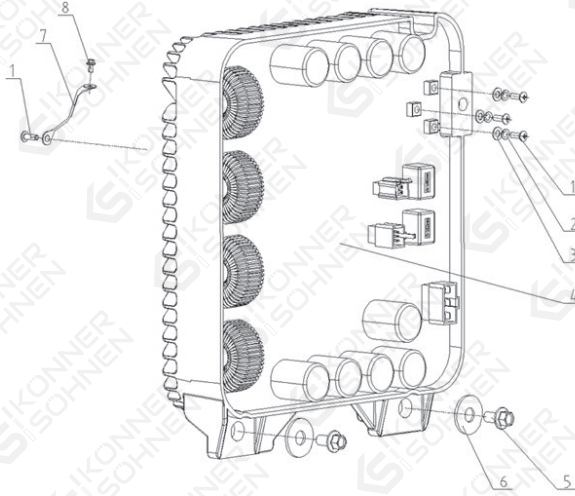
No	REF. No	DESCRIPTION	QTY
1	KS 8100iE-5-1	Cotter pin	2
2	KS 8100iE-5-2	Flat gasket - grade C Φ 14 x Φ 28 x 2.5	2
3	KS 8100iE-5-3	Wheel assy	2
4	KS 8100iE-5-4	Wheel shaft assy	2
5	KS 8100iE-5-5	Decorative board	2
6	KS 8100iE-5-6	Hexagon flange bolt-M8X1.25X80	2
7	KS 8100iE-5-7	Bracket of frame damping seat	2
8	KS 8100iE-5-8	Frame damping seat assy	2

6. PARTS OF COVER SHELL



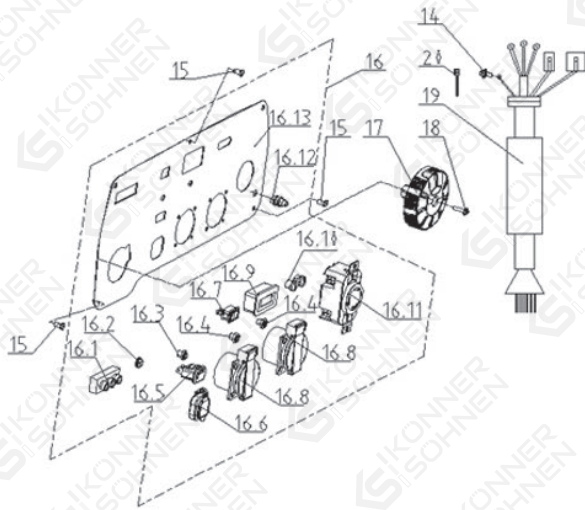
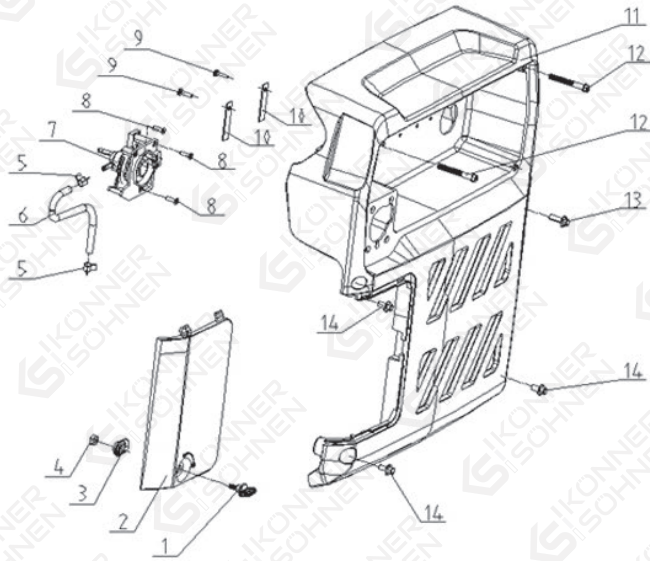
No	REF. No	DESCRIPTION	QTY
1	KS 8100iE-6-1	Hexagon flange bolt M8×1.25×16	2
2	KS 8100iE-6-2	Handlebar assy	1
3	KS 8100iE-6-3	Nylon hex lock nut M8	2
4	KS 8100iE-6-4	Frame assy	1
5	KS 8100iE-6-5	Hexagon flange nut-M10 × 1.25	4
6	KS 8100iE-6-6	Left damping pad assy	2
7	KS 8100iE-6-7	Hexagon flange nut M8	4
8	KS 8100iE-6-8	Right damping pad assy	2

7. PARTS OF INVERTER



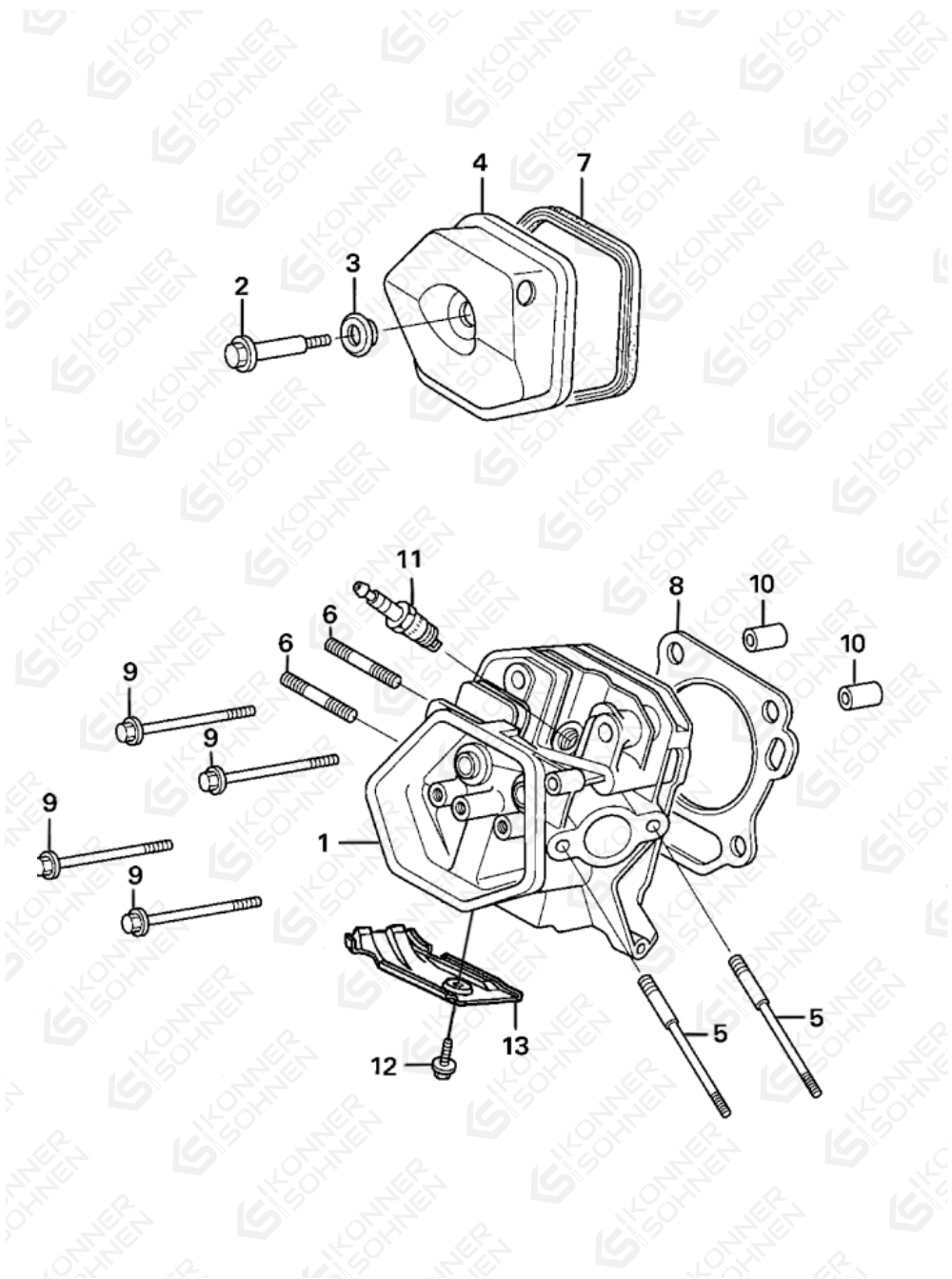
No	REF. No	DESCRIPTION	QTY
1	KS 8100iE-7-1	Cross recessed pan head screw M4 × 0.7 × 12	4
2	KS 8100iE-7-2	Spring washer Φ 4	3
3	KS 8100iE-7-3	Flat gasket - grade C 4 × 0.8	3
4	KS 8100iE-7-4	Inverter assy	1
5	KS 8100iE-7-5	Hexagon flange bolt - small series M8 × 1.25 × 25	2
6	KS 8100iE-7-6	Flat gasket - grade C Φ 8.5 × Φ 23 × 3	2
7	KS 8100iE-7-7	Connecting line	1
8	KS 8100iE-7-8	Hexagon flange bolt M6×1×12	1

8. PARTS OF PANEL



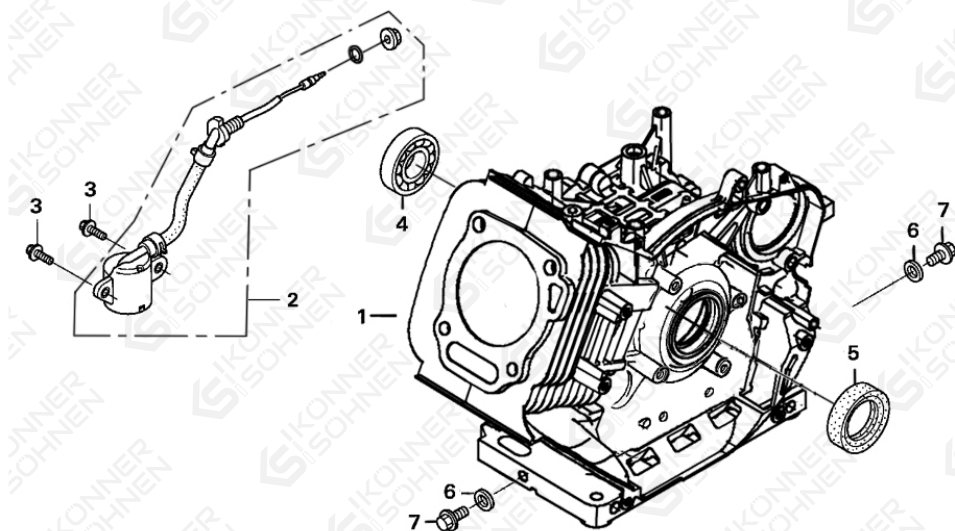
No	REF. No	DESCRIPTION	QTY
1	KS 8100iE-8-1	Knob assy	1
2	KS 8100iE-8-2	Maintenance door	1
3	KS 8100iE-8-3	Block assy	1
4	KS 8100iE-8-4	Nylon hex lock nut M5	1
5	KS 8100iE-8-5	Collar	2
6	KS 8100iE-8-6	Oil tube	1
7	KS 8100iE-8-7	Starting switch assy	1
8	KS 8100iE-8-8	Cross recessed countersunk head tapping screw 4.2 × 16	3
9	KS 8100iE-8-9	Cross recessed pan head tapping screw ST4.8 × 16	2
10	KS 8100iE-8-10	Line card	2
11	KS 8100iE-8-11	Panel base assy	1
12	KS 8100iE-8-12	Cross recessed hexagon head bolt M6×50	2
13	KS 8100iE-8-13	Hexagon flange bolt M6×1×30	1
14	KS 8100iE-8-14	Hexagon flange bolt M6×1×12	4
15	KS 8100iE-8-15	Cross recessed pan head screw M5 × 0.8 × 10	3
16	KS 8100iE-8-16	Control panel assy	1
17	KS 8100iE-8-17	Knob assy	1
18	KS 8100iE-8-18	Cross recessed pan head screw M4×0.7×16	1
19	KS 8100iE-8-19	Corrugated pipe	1
20	KS 8100iE-8-20	Ties	8

9. CYLINDER HEAD COMP.



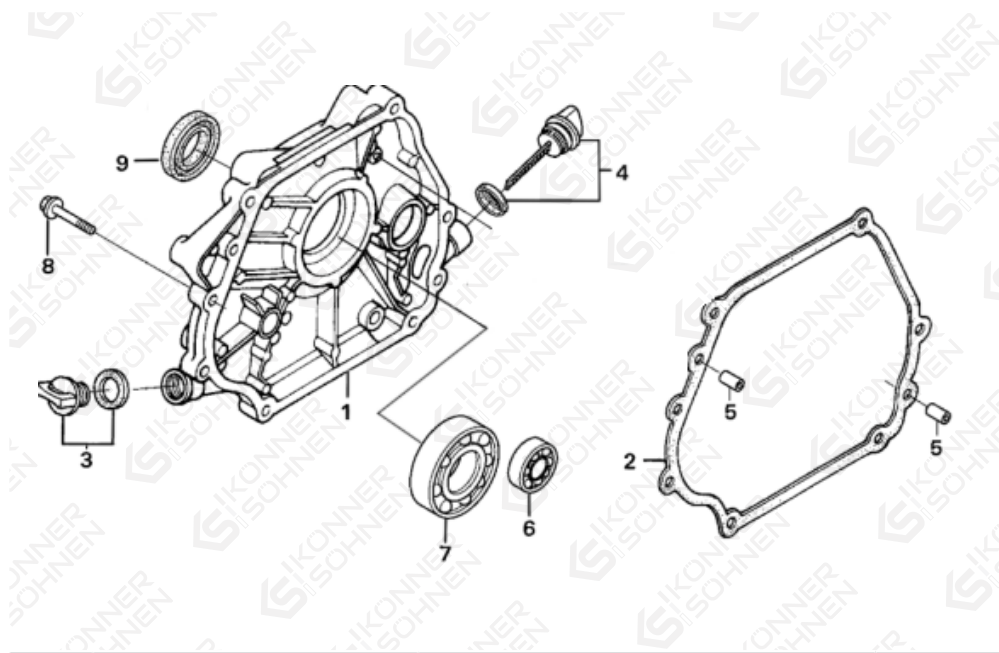
No	REF. No	DESCRIPTION	QTY
1	KS 8100iE-8-1	Cylinder head comp.	1
2	KS 8100iE-8-2	Bolt, head cover	1
3	KS 8100iE-8-3	Washer comp., Head cover	1
4	KS 8100iE-8-4	Cover comp., Head	1
5	KS 8100iE-8-5	Bolt, stud, intake	2
6	KS 8100iE-8-6	Bolt, stud, exhaust	2
7	KS 8100iE-8-7	Packing, head cover	1
8	KS 8100iE-8	Gasket, cylinder head	1
9	KS 8100iE-9	Bolt, flange	4
10	KS 8100iE-8-10	Dowel pin	2
11	KS 8100iE-8-11	Spark plug	1
12	KS 8100iE-8-12	Bolt, flange	1
13	KS 8100iE-8-13	Shroud	1

10. CRANKCASE



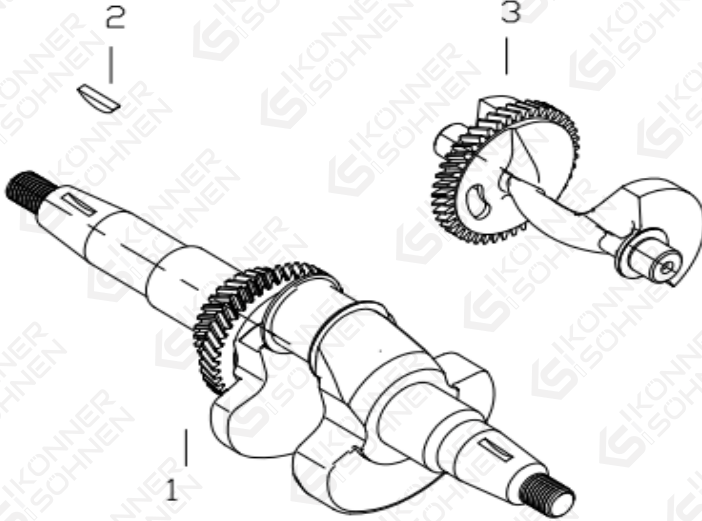
No	REF. No	DESCRIPTION	QTY
1	KS 8100iE-8-1	Crankcase	1
2	KS 8100iE-8-2	Switch assy., oil level	1
3	KS 8100iE-8-3	Bolt, flange	2
4	KS 8100iE-8-4	Bearing 6202	1
5	KS 8100iE-8-5	Oil seal	1
6	KS 8100iE-8-6	Washer	2
7	KS 8100iE-8-7	Bolt, drain plug	2

11. CRANKCASE COVER



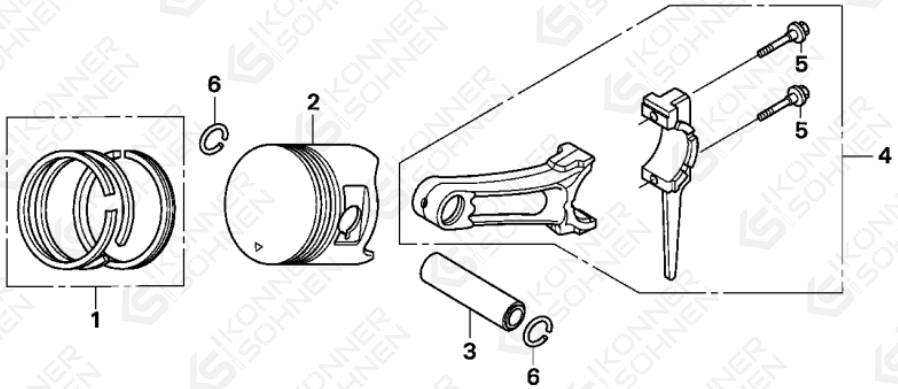
No	REF. No	DESCRIPTION	QTY
1	KS 8100iE-8-1	Crankcase cover	1
2	KS 8100iE-8-2	Packing, case cover	1
3	KS 8100iE-8-3	Cap assy., oil filler	1
4	KS 8100iE-8-4	Stick assy., oil filler	1
5	KS 8100iE-8-5	Dowel pin	2
6	KS 8100iE-8-6	Bearing, radial ball, 6202	1
7	KS 8100iE-8-7	Bearing, radial ball, 6207	1
8	KS 8100iE-8-8	Bolt, flange	10
9	KS 8100iE-8-9	Oil seal	1

12. CRANKSHAFT ASSY



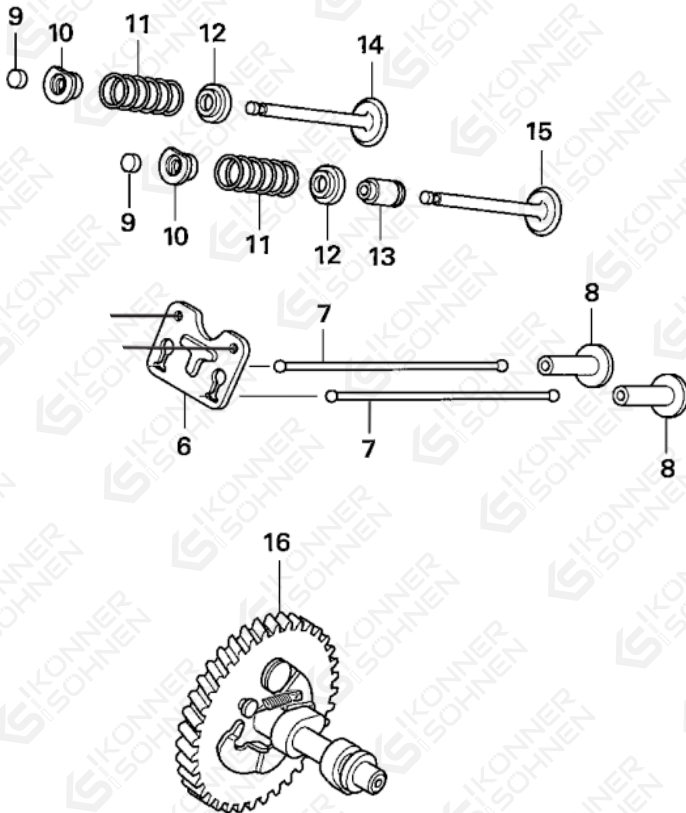
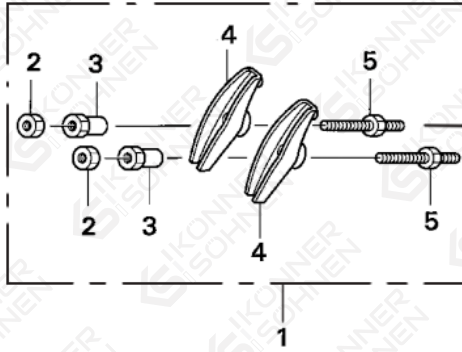
No	REF. No	DESCRIPTION	QTY
1	KS 8100iE-8-1	Crankshaft assy	1
2	KS 8100iE-8-2	Key	1
3	KS 8100iE-8-3	Weight, balancer	1

13. RING SET, PISTON (STD.)



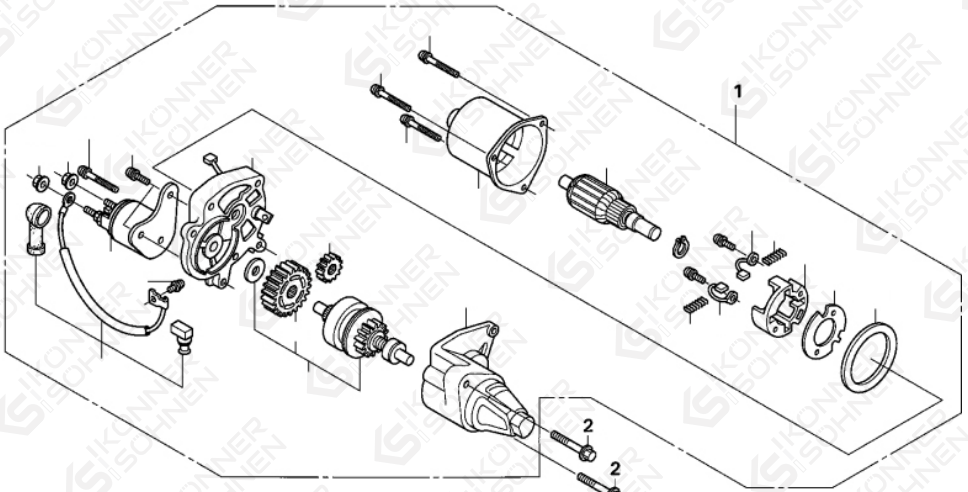
No	REF. No	DESCRIPTION	QTY
1	KS 8100iE-8-1	Ring set, piston (std.)	1
2	KS 8100iE-8-2	Piston (std.)	1
3	KS 8100iE-8-3	Pin, piston	1
4	KS 8100iE-8-4	Connecting rod assy.	1
5	KS 8100iE-8-5	Bolt, connecting rod	2
6	KS 8100iE-8-6	Clip, piston pin	2

14. ROCKER ARM ASSY



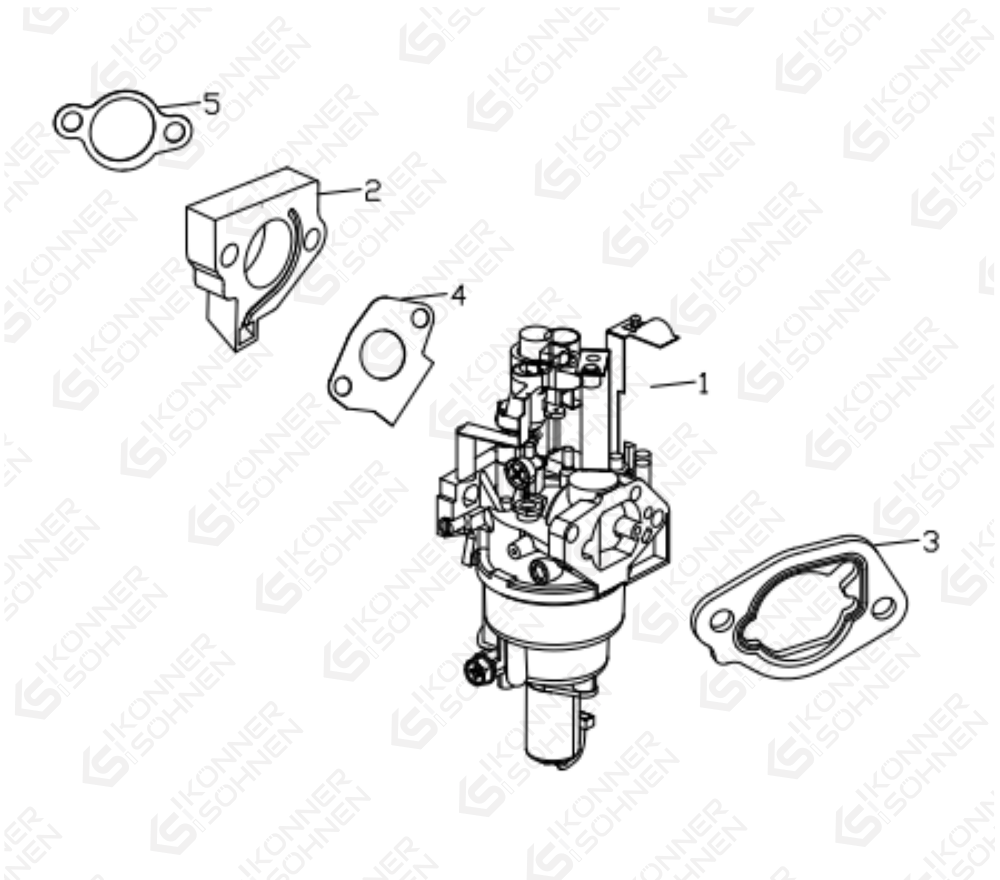
No	REF. No	DESCRIPTION	QTY
1	KS 8100iE-8-1	Rocker arm assy.	1
2	KS 8100iE-8-2	Nut, pivot adjusting	2
3	KS 8100iE-8-3	Pivot, rocker arm	2
4	KS 8100iE-8-4	Rocker arm	2
5	KS 8100iE-8-5	Bolt, povit	2
6	KS 8100iE-8-6	Plate, push rod guide	1
7	KS 8100iE-8-7	Push rod	2
8	KS 8100iE-8-8	Lifter , valve	2
9	KS 8100iE-8-9	Rotator, valve	2
10	KS 8100iE-8-10	Retainer, ex. Valve spring	2
11	KS 8100iE-8-11	Spring, valve	2
12	KS 8100iE-8-12	Seat, valve spring	2
13	KS 8100iE-8-13	Seal, valve stem	1
14	KS 8100iE-8-14	Valve, ex.	1
15	KS 8100iE-8-15	Valve, in.	1
16	KS 8100iE-8-16	Camshaft assy.	1

15. STARTER MORTOR



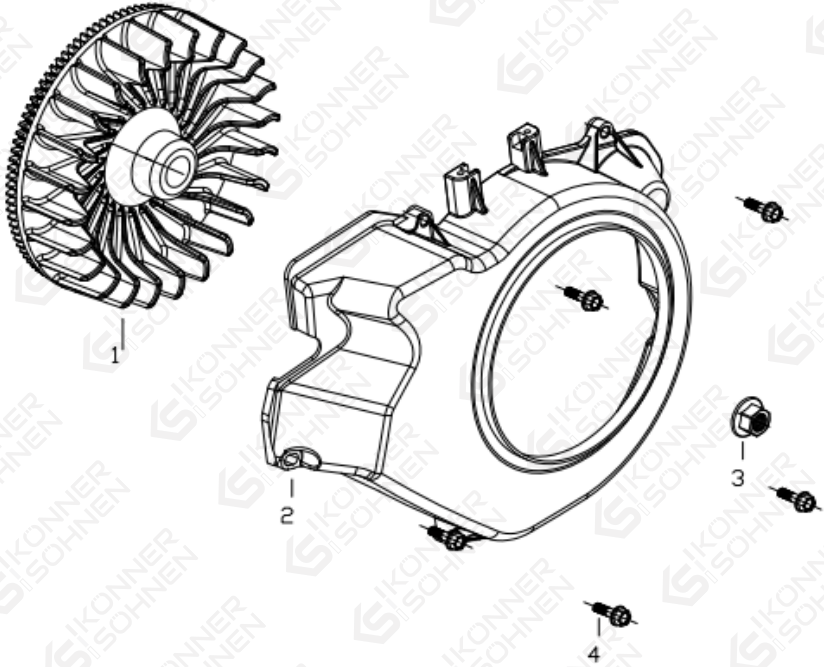
No	REF. No	DESCRIPTION	QTY
1	KS 8100iE-8-1	Starter mortor.	1
2	KS 8100iE-8-2	Bolt, flange	2

16. CARBURETOR ASSY



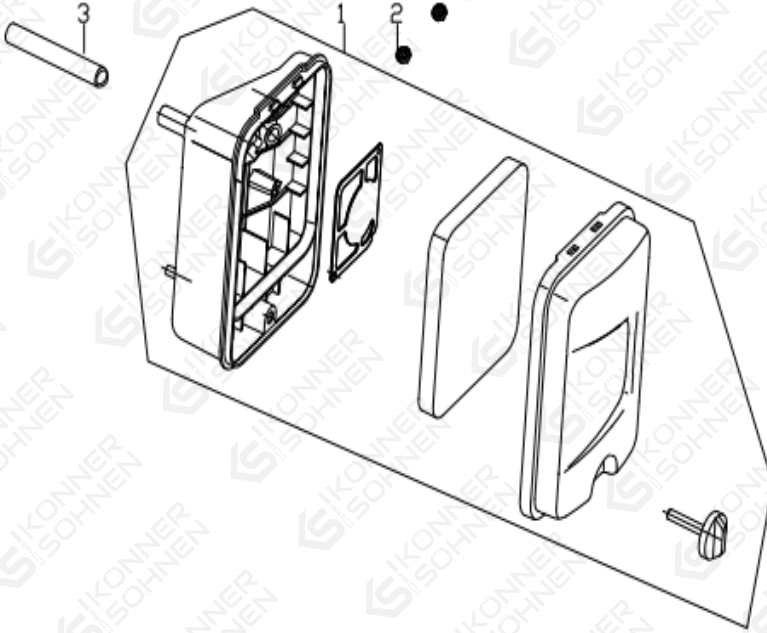
No	REF. No	DESCRIPTION	QTY
1	KS 8100iE-8-1	Carburetor assy.	1
2	KS 8100iE-8-2	Insulator, carburetor	1
3	KS 8100iE-8-3	Packing, air cleaner	1
4	KS 8100iE-8-4	Packing, insulator	1
5	KS 8100iE-8-5	Packing, intake port	1

17. FAN, COOLING



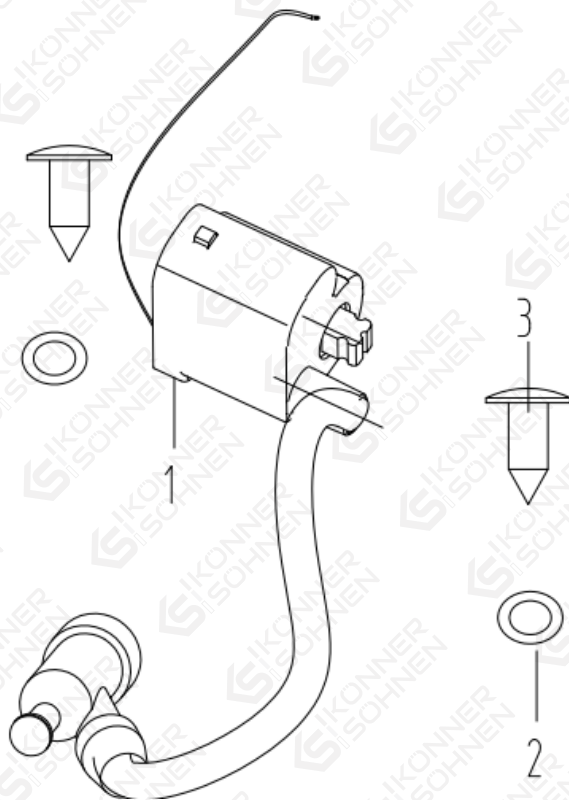
No	REF. No	DESCRIPTION	QTY
1	KS 8100iE-8-1	Fan, cooling	1
2	KS 8100iE-8-2	Blower housing	1
3	KS 8100iE-8-3	Nut, special	1
4	KS 8100iE-8-4	Bolt	5

18. AIR CLEANER ASSY



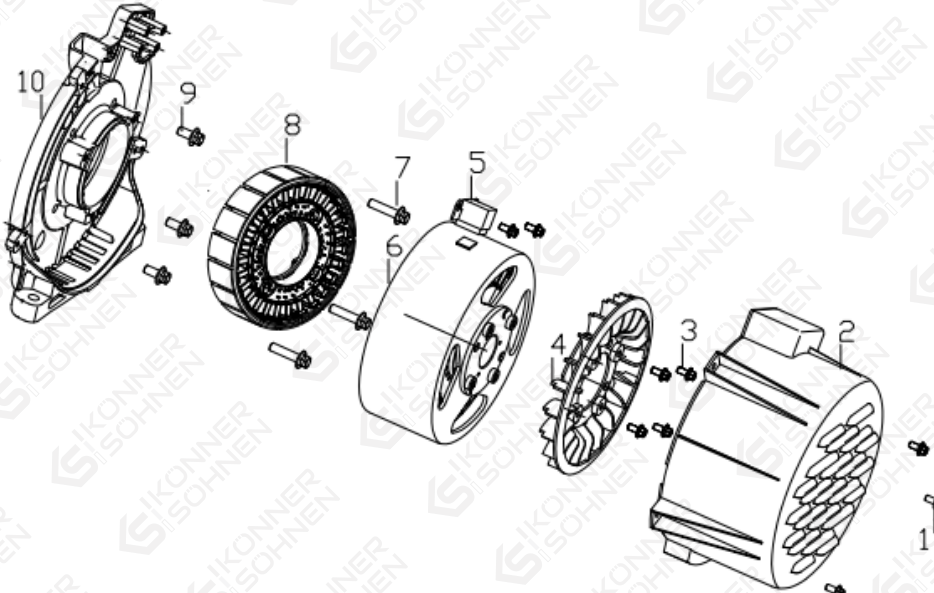
No	REF. No	DESCRIPTION	QTY
1	KS 8100iE-8-1	Air cleaner assy	1
2	KS 8100iE-8-2	Nut, flange	2
3	KS 8100iE-8-3	Exhaust pipe	1

19. COIL ASSY., IGNITION



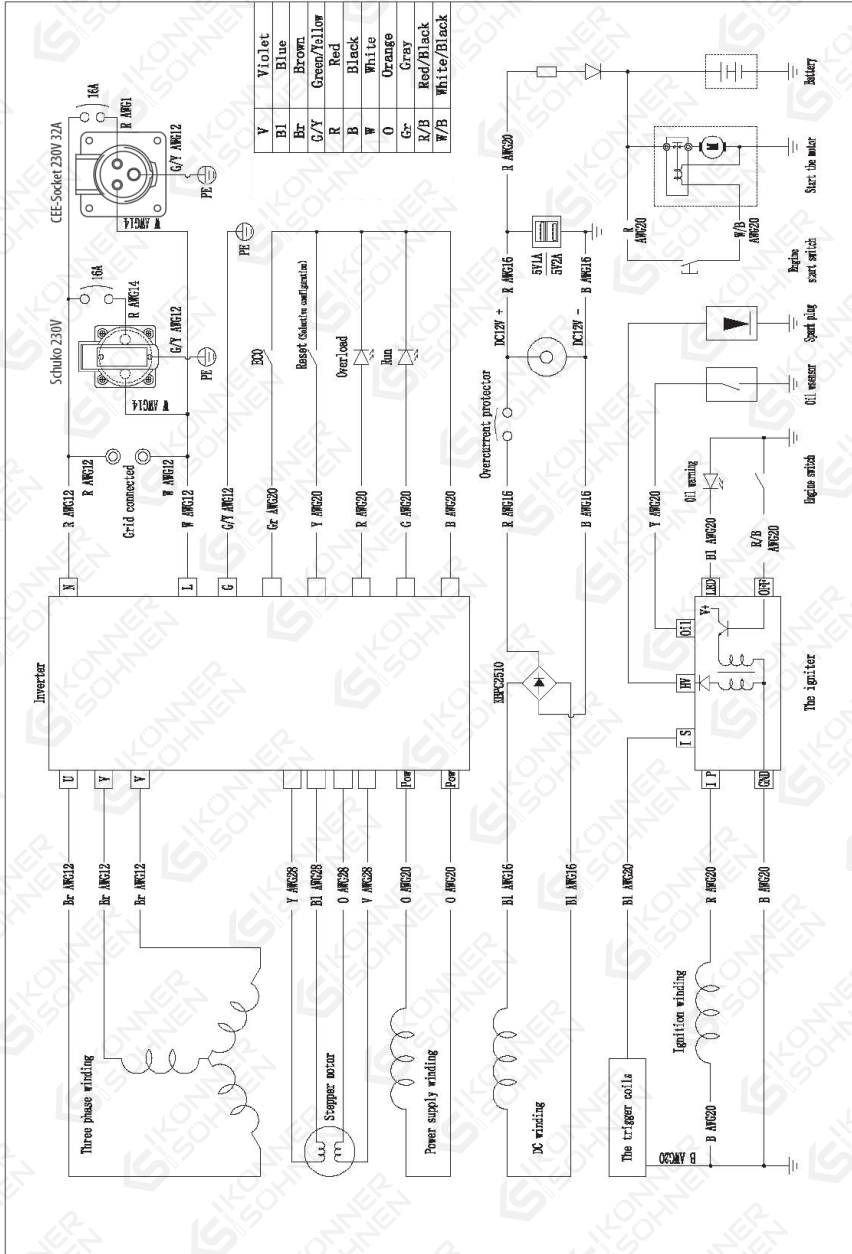
No	REF. No	DESCRIPTION	QTY
1	KS 8100iE-8-1	Coil assy., Ignition	1
2	KS 8100iE-8-2	Flat	2
3	KS 8100iE-8-3	Screw	2

20. BOLT, FLANGE



No	REF. No	DESCRIPTION	QTY
1	KS 8100iE-8-1	Bolt, flange	5
2	KS 8100iE-8-2	Motror trail cover	1
3	KS 8100iE-8-3	Bolt, flange	4
4	KS 8100iE-8-4	Fan cooling	1
5	KS 8100iE-8-5	Ttigger combination	1
6	KS 8100iE-8-6	Mortor rotor	1
7	KS 8100iE-8-7	Bolt, flange	3
8	KS 8100iE-8	Mortor stator	1
8-2	KS 8100iE-8-2	Mortor stator	1
9	KS 8100iE-9	Bolt, flange	3
10	KS 8100iE-10	Mortor front cover	1

21. ELECTRICAL DIAGRAMS



CONTACTS

konner-sohnen.com

Germany

info@dimaxgroup.de

Poland

info.pl@dimaxgroup.de

Ukraine

sales@ks-power.com.ua